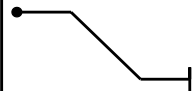
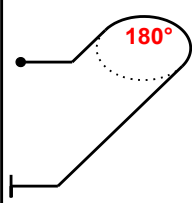
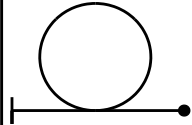
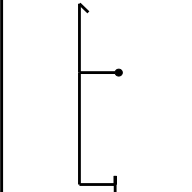
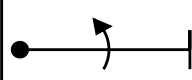
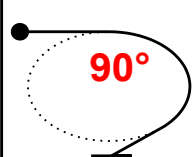
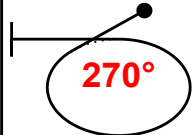
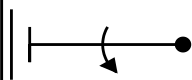


Pilot ID

Flight #

AAC Entry Known

No	Symbol	Cat. No.	K	Total K	Grade	Pos	Remarks	Item	K	Grade
1		1.1.2.3	7	7	.			Pos.	5	
2		0.0	8	8	.			Fig K	70	Total K
3		7.4.1.1	10	10	.			Penalties		
4		5.2.1.1	17	17	.			Too Low		
5		1.1.1.1 9.1.3.4	2 8	10	.			Too High		
6		2.1.1.1	3	3	.			Interruptions		
7		2.3.1.1	5	5	.			Insertions		
8		1.1.1.1 9.1.3.4	2 8	10	.			Trg Violation		

Penalties		
Too Low		
Too High		
Interruptions		
Insertions		
Trg Violation		
Wing Rocks		
Disqual Fig		
Other(note...)		

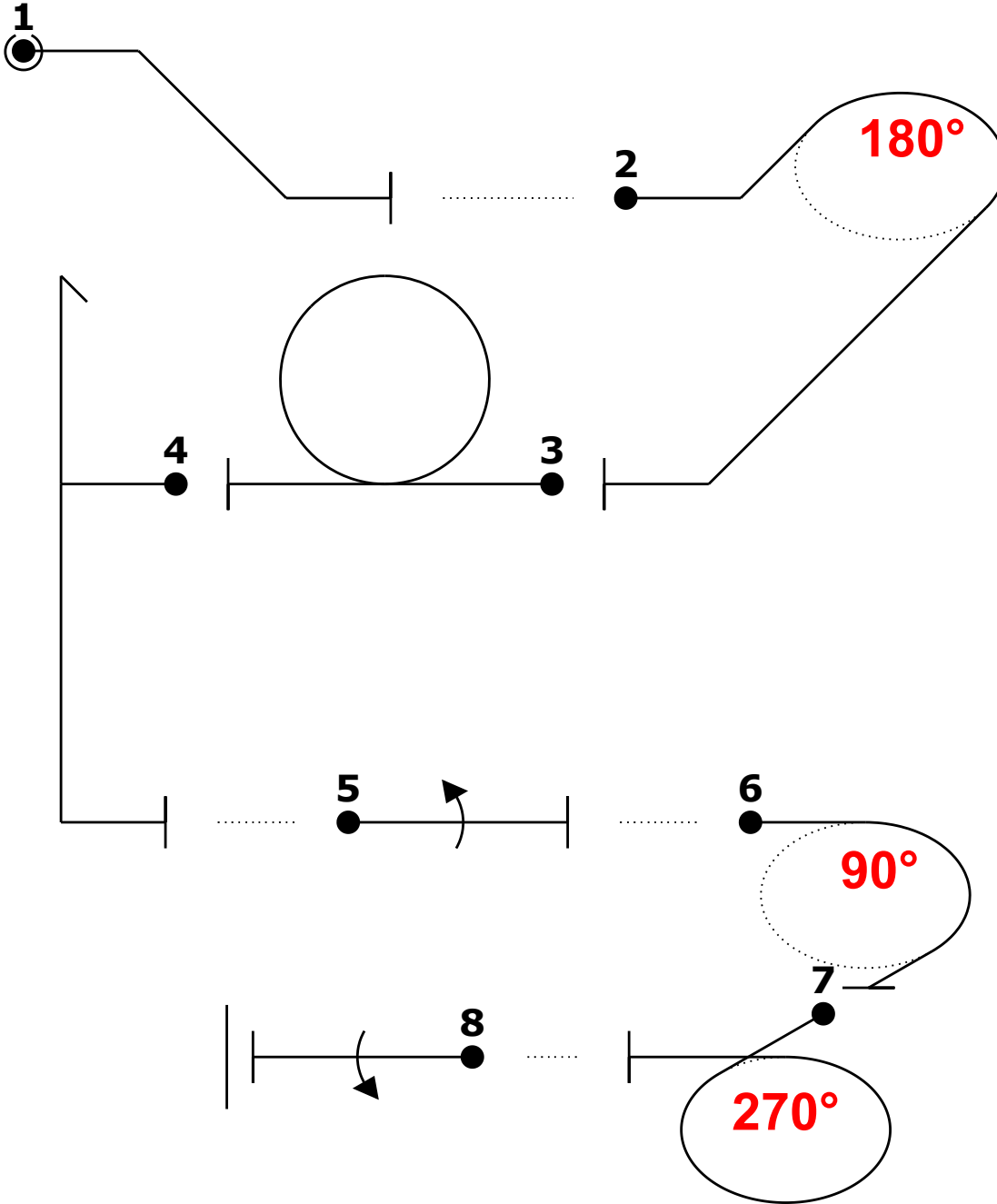
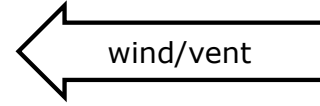
Final Freestyle		
Duration	Min	Sec

Judges Details	
Signature	
Name	
Number	

Pilot

AAC

Australia Perpetual		Form B
Pilot ID	AAC Entry Known	
	Flight #	

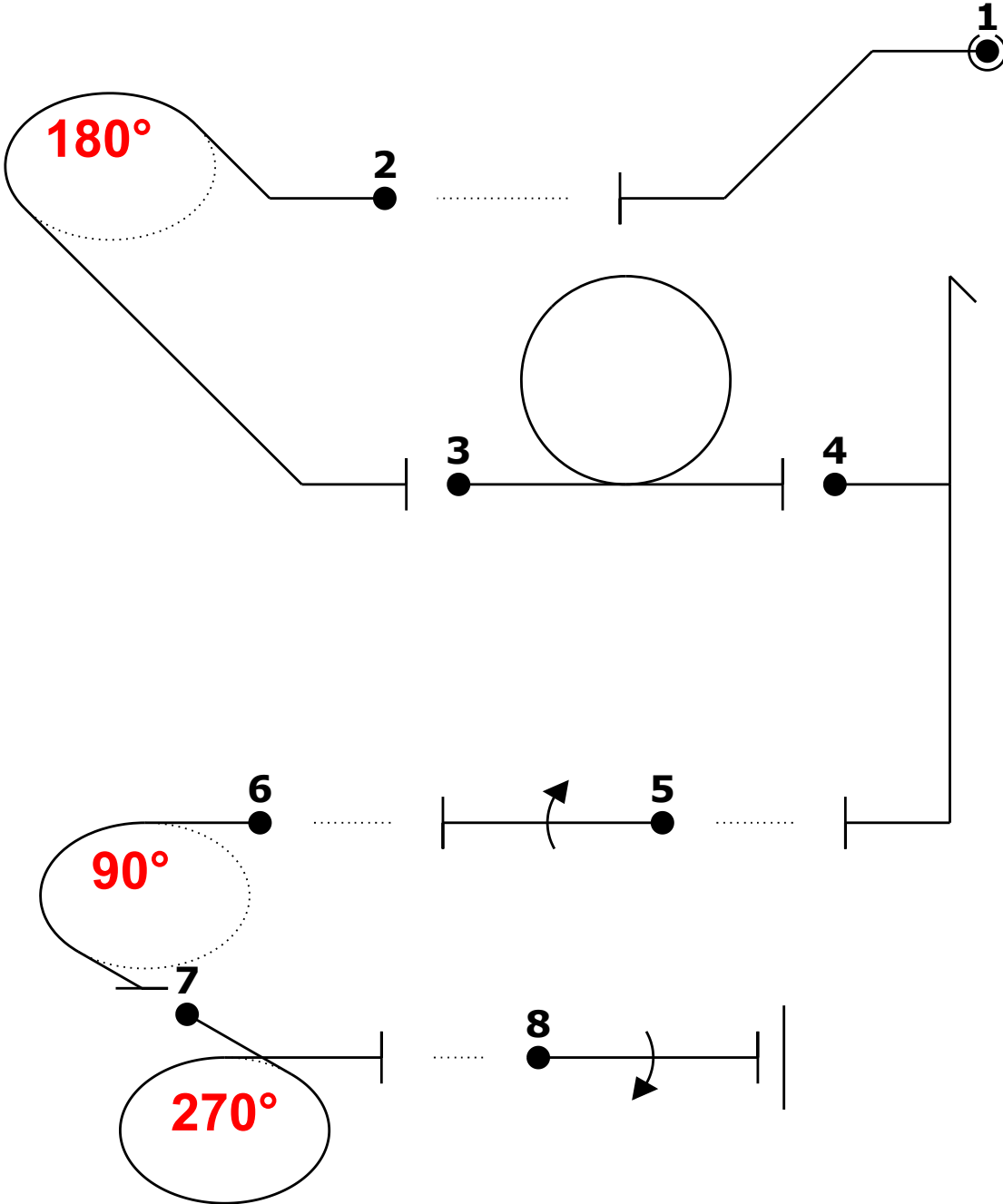
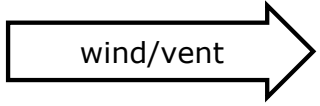


Power			
Fig	Aresti	K	
1	1.1.2.3	7	7
2	0.0	8	8
3	7.4.1.1	10	10
4	5.2.1.1	17	17
5	1.1.1.1 9.1.3.4	2 8	10
6	2.1.1.1	3	3
7	2.3.1.1	5	5
8	1.1.1.1 9.1.3.4	2 8	10
Total K = 70			

Pilot

A/C

Australia Perpetual		Form C
Pilot ID	AAC Entry Known	
		Flight #



Power			
Fig	Aresti	K	
1	1.1.2.3	7	7
2	0.0	8	8
3	7.4.1.1	10	10
4	5.2.1.1	17	17
5	1.1.1.1 9.1.3.4	2 8	10
6	2.1.1.1	3	3
7	2.3.1.1	5	5
8	1.1.1.1 9.1.3.4	2 8	10
Total K = 70			

Pilot
.....
AAC